

**TRIUMPH**



**Tyre Selector**

## Warning

Use the recommended tyres ONLY in the combinations given. Do not mix tyres from different manufacturers as this may result in loss of motorcycle control and an accident.

MODEL	MODEL YEAR	MANUFACTURER	FRONT TYRE	SPECIFICATION	SIZE	PRESSURE	REAR TYRE	SPECIFICATION	SIZE	PRESSURE
✓ Tiger Sport (From VIN 570059)	2013 on	Pirelli Metzeler Dunlop Michelin	Angel ST Roadtec 28 Interact Roadsmart Pilot Road 3	A Standard Standard Standard	120/70ZR17 58 W 120/70ZR17 58 W 120/70ZR17 58 W 120/70ZR17 58 W	2.34 bar (34 lb/in <sup>2</sup> )	Angel ST Pilot Road 3 Roadsmart Pilot Road 3	Standard Standard Standard Standard	180/55ZR17 73 W 180/55ZR17 73 W 180/55ZR17 73 W 180/55ZR17 73 W	2.90 bar (42 lb/in <sup>2</sup> )
✗ Tiger Sport (From VIN 570059)	2013 on	Pirelli Metzeler Dunlop Michelin	Angel ST Roadtec 28 Interact Roadsmart Pilot Road 3	A Standard Standard Standard	120/70ZR17 58 W 120/70ZR17 58 W 120/70ZR17 58 W 120/70ZR17 58 W	2.34 bar (34 lb/in <sup>2</sup> )	Angel ST Pilot Road 3 Roadsmart Pilot Road 3	Standard Standard Standard Standard	180/55ZR17 73 W 180/55ZR17 73 W 180/55ZR17 73 W 180/55ZR17 73 W	2.90 bar (42 lb/in <sup>2</sup> )

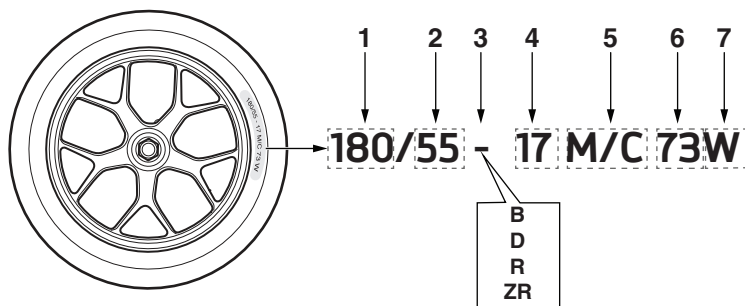
## Warning

The use of off road tyres will result in reduced motorcycle stability. Always operate a motorcycle equipped with off road tyres at reduced speeds. The permissible maximum speed is specified for off road tyres in this publication. Operation of the motorcycle above the permissible maximum speed may result in loss of motorcycle control and an accident.

### Note:

- The tyres listed in this tyre selector are correct at the time of publication for motorcycles in current production only. Tyres for motorcycles no longer in production are listed for information purposes only and were correct only at the time production ceased. Triumph Motorcycles Limited reserves the right to list an alternative tyre for any motorcycle at any time, but has no such obligation to list alternatives where production of a motorcycle or tyre has ceased. Tyre production for any tyre listed may cease at any time and is beyond Triumph Motorcycles Limited control. Inclusion of a tyre in this tyre selector is not a guarantee of tyre availability. No liability can be accepted for any inaccuracies or omissions in this publication, although every possible care has been taken to make it as complete and accurate as possible.

### Tyre Marking Guide



- Nominal section width (mm).**
- Aspect Ratio (Defines the section height as a percentage of width. i.e 180x55% = 99 mm).**
- Construction type:**
  - B refers to a bias belted construction
  - - or D refers to a diagonal ply (historically cross ply)
  - R refers to a radial construction
  - ZR refers to a radial tyre capable of over 149 mph (240 km/h).
- Rim diameter in inches.**
- Denotes a motorcycle tyre.**
- Load rating.**
- Speed rating.**

## Model Year Identification Guide

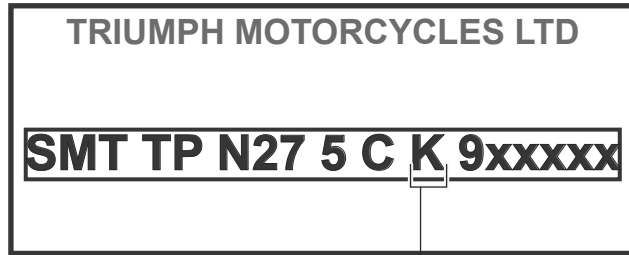
When using the Tyre Selector, it may be necessary to identify the model year of your motorcycle to determine the correct tyres.

For every motorcycle, each VIN number contains either a numerical or alphabetical identifier to determine the model year. For the location of the VIN number, see the Owner's Handbook or go to [www.triumphmotorcycles.com](http://www.triumphmotorcycles.com)

On motorcycles originating in the USA, Canada or Brazil the identifier is the 10th character. For all other markets it's the 11th character.

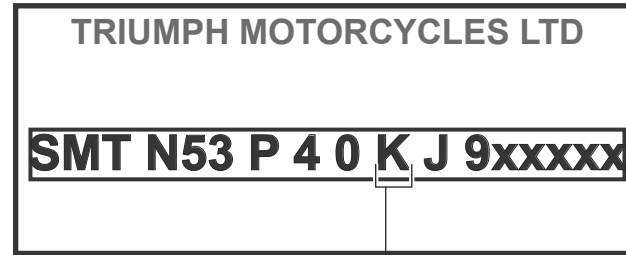
The chart below shows the model year identifiers used from 1991 to 2026.

### All Markets Except USA, Canada and Brazil



Model Year

### USA, Canada and Brazil Markets Only



Model Year

Model Year	Identifier	Model Year	Identifier	Model Year	Identifier	Model Year	Identifier
1991	M	2000	Y	2009	9	2018	J
1992	N	2001	1	2010	A	2019	K
1993	P	2002	2	2011	B	2020	L
1994	R	2003	3	2012	C	2021	M
1995	S	2004	4	2013	D	2022	N
1996	T	2005	5	2014	E	2023	P
1997	V	2006	6	2015	F	2024	R
1998	W	2007	7	2016	G	2025	S
1999	X	2008	8	2017	H	2026	T





**Adventure & Touring**



**Modern Classics**



**Cruisers**



**Roadsters & Supersports**

# Index

# Adventure & Touring

# Index

Model	Model Year	Manufacturer	Front Tyre	Specification	Size	Pressure	Rear Tyre	Specification	Size	Pressure
Tiger 855	1993 on 1993 to 1994 1994 on 1995 on	Michelin Pirelli Dunlop Bridgestone	T66X MT60 Trailmax Trail Wing 101		110/80-19 100/90-19 100/90-19 110/90-19	2.07 bar (30 lb/in <sup>2</sup> )	T66X MT60 Trailmax Trail Wing 152		140/80-17 140/80-17 140/80-17 140/80-17	2.27 bar (33 lb/in <sup>2</sup> )
Tiger 855	1995 on 1996 on 1996 on	Pirelli Metzeler Pirelli	MT60R Enduro 4 MT80R		110/80-19 110/80-19 110/80-19	2.07 bar (30 lb/in <sup>2</sup> )	MT80RS Enduro 4 MT80R		140/80-17 140/80-17 140/80-17	2.27 bar (33 lb/in <sup>2</sup> )
Tiger 855i (from VIN 71699 up to VIN 124105)	1999 on	Michelin Metzeler	T66X Enduro 4		110/80-19 110/80-19	2.48 bar (36 lb/in <sup>2</sup> )	T66X Enduro 4		150/70-17 150/70-17	2.90 bar (42 lb/in <sup>2</sup> )
Tiger 955i (from VIN 124106 up to VIN 198874)	2001 to 2004 2001 to 2004 2001 to 2004 2001 to 2004	Metzeler Pirelli Michelin Bridgestone	Tourance MT90 T66X Trail Wing 101 Radial		110/80R19 59V 110/80-19 110/80-19 110/80-19	2.48 bar (36 lb/in <sup>2</sup> )	Tourance MT90 T66X Trail Wing 101 Radial		150/70R17 69V 150/70-17 150/70-17 150/70-17	2.90 bar (42 lb/in <sup>2</sup> )
Tiger 955i (from VIN 198875 up to VIN 287503)	2004 on 2004 on	Michelin Bridgestone	Anakee Radial Trail Wing 101 Radial		110/80R19 59V 110/80R19 59V	2.48 bar (36 lb/in <sup>2</sup> )	Anakee Radial Trail Wing 152 Radial		150/70-17 150/70-17	2.90 bar (42 lb/in <sup>2</sup> )
Tiger 1050 cc including ABS (from VIN 287504 up to VIN 570058)	2007 to 2013 2008 to 2013	Michelin Bridgestone	Pilot Road S Battlax BT-021	Standard L	120/70ZR17 58W 120/70ZR17 58W	2.34 bar (34 lb/in <sup>2</sup> )	Pilot Road S Battlax BT-021	Standard L	180/55ZR17 73W 180/55ZR17 73W	2.90 bar (42 lb/in <sup>2</sup> )
Tiger 800 *Front tyre size 110/80R19 59V may be used in markets where the recommended size (100/90-19 57V) is not available.	2011 on	Pirelli *Pirelli Metzeler *Metzeler	Scorpion Trail *Scorpion Trail Tourance Exp *Tourance Exp	Standard Standard Standard Standard	100/90-19 57V *110/80R19 59V 100/90-19 57H 100/90-19 57V	2.48 bar (36 lb/in <sup>2</sup> )	Scorpion Trail Scorpion Trail Tourance EXP Tourance EXP	Standard Standard M M	150/70R17 69V 150/70R17 69V 150/70R17 69V 150/70R17 69V	2.90 bar (42 lb/in <sup>2</sup> )
Tiger 800XC	2011 on	Pirelli Bridgestone Michelin	Scorpion Trail Battle Wing BW-501 Anakee 3	Standard G Standard	90/90-21 54V 90/90-21 54V 90/90-21 54V	2.48 bar (36 lb/in <sup>2</sup> )	Scorpion Trail Battle Wing BW-502 Anakee 3	Standard Standard Standard	150/70R17 69V 150/70R17 69V 150/70R17 69V	2.90 bar (42 lb/in <sup>2</sup> )
Tiger 800XC Dual purpose tyres (approved by Triumph for off road and on road use in some countries only). The permissible maximum speed for dual purpose tyres is 60 mph (100 km/h).	2011 on	Metzeler	MCE Karoo 2 (T)	Standard	90/90-21 54Q	1.52 bar (22 lb/in <sup>2</sup> )	MCE Karoo (T)	Standard	150/70R17 69Q	1.52 bar (22 lb/in <sup>2</sup> )
Tiger XR, Tiger XRT, Tiger XRX **Tyres recommended and approved for use with Expedition Aluminium Luggage System.	2015 on	**Metzeler Pirelli	**Tourance Next Scorpion Trail	**Standard Standard	100/90-19 57V 100/90-19 57V	2.48 bar (36 lb/in <sup>2</sup> )	**Tourance Next Scorpion Trail	**Standard G	150/70R17 69V 150/70R17 69V	2.90 bar (42 lb/in <sup>2</sup> )
Tiger XC, Tiger XCA and Tiger XCX	2015 on	Bridgestone Pirelli Michelin	Battle Wing BW-501 Scorpion Trail Anakee 3	G Standard Standard	90/90-21 54V 90/90-21 54V 90/90-21 54V	2.48 bar (36 lb/in <sup>2</sup> )	Battle Wing BW-502 Scorpion Trail Anakee 3	G G Standard	150/70R17 69V 150/70R17 69V 150/70R17 69V	2.90 bar (42 lb/in <sup>2</sup> )

# Adventure & Touring

# Index

Model	Model Year	Manufacturer	Front Tyre	Specification	Size	Pressure	Rear Tyre	Specification	Size	Pressure
Tiger XC, Tiger XCA, Tiger XCX Dual purpose tyres (approved by Triumph for off road and on road use in some countries only). The permissible maximum speed for dual purpose tyres is 60 mph (100 km/h).	2015 on	Metzeler	Karoo 3	Standard	90/90-21 54R	2.48 bar (36 lb/in <sup>2</sup> )	Karoo 3	Standard	150/70-17 69R	2.90 bar (42 lb/in <sup>2</sup> )
Tiger 800 XRT, Tiger 800 XRX, Tiger 800 XRX Low, Tiger 800 XR	2018 on	Metzeler	Tourance Next	Standard	100/90-19 57V	2.48 bar (36 lb/in <sup>2</sup> )	Tourance Next	Standard	150/70R17 69V	2.90 bar (42 lb/in <sup>2</sup> )
Tiger 800 XCA, Tiger 800 XCX	2018 on	Bridgestone	Battle Wing BW-501	G	90/90-21 54V	2.48 bar (36 lb/in <sup>2</sup> )	Battle Wing BW-502	G	150/70R17 69V	2.90 bar (42 lb/in <sup>2</sup> )
Tiger 800 XCA, Tiger 800 XCX Dual purpose tyres (approved by Triumph for off road and on road use in some countries only). The permissible maximum speed for dual purpose tyres is 60 mph (100 km/h).	2018 on	Metzeler	Karoo 3	Standard	90/90-21 54R	2.48 bar (36 lb/in <sup>2</sup> )	Karoo 3	Standard	150/70-17 69R	2.90 bar (42 lb/in <sup>2</sup> )
Tiger 800 XCA, Tiger 800 XCX Mud and Snow (M+S) tyres (approved by Triumph for off road and on road use in some countries only). The permissible maximum speed for M+S tyres is 60 mph (100 km/h).	2018 on	Pirelli	Scorpion Rally	C	90/90-21 54R	2.48 bar (36 lb/in <sup>2</sup> )	Scorpion Rally	Standard	150/70-17 69R	2.90 bar (42 lb/in <sup>2</sup> )
   100 KM/H (60 MPH) MAX										
Tiger Explorer and Tiger Explorer XC (up to VIN 740276)	2012 on	Metzeler Pirelli Bridgestone	Tourance EXP Scorpion Trail Battle Wing BW-501	Standard Standard Standard	110/80R19 59V 110/80R19 59V 110/80R19 59V	2.48 bar (36 lb/in <sup>2</sup> )	Tourance EXP Scorpion Trail Battle Wing BW-502	Standard Standard Standard	150/70R17 69V 150/70R17 69V 150/70R17 69V	2.90 bar (42 lb/in <sup>2</sup> )
Tiger Explorer XC and Tiger Explorer XR - All models (from VIN 740277)	2016 on	Metzeler Continental Michelin	Tourance Next Trail Attack 2 Anakee 3	E Standard Standard	120/70R19 60V 120/70R19 60V 120/70R19 60V	2.21 bar (32 lb/in <sup>2</sup> )	Tourance Next Trail Attack 2 Anakee 3	E Standard Standard	170/60R17 72V 170/60R17 72V 170/60R17 72V	2.69 bar (39 lb/in <sup>2</sup> )
Tiger Explorer XC and Tiger Explorer XR - All models (from VIN 740277) Dual purpose tyres (approved by Triumph for off road and on road use in some countries only). The permissible maximum speed for dual purpose tyres is 60 mph (100 km/h).	2016 on	Metzeler	Karoo 3	Standard	120/70R19 60T	2.21 bar (32 lb/in <sup>2</sup> )	Karoo 3	Standard	170/60R17 72T	2.69 bar (39 lb/in <sup>2</sup> )
Tiger 1200 - All models	2017 on	Metzeler Michelin	Tourance Next Anakee III	E Standard	120/70R19 60V 120/70R19 60V	2.21 bar (32 lb/in <sup>2</sup> )	Tourance Next Anakee III	E Standard	170/60R17 72V 170/60R17 72V	2.69 bar (39 lb/in <sup>2</sup> )

# Adventure & Touring

# Index

Model	Model Year	Manufacturer	Front Tyre	Specification	Size	Pressure	Rear Tyre	Specification	Size	Pressure
<p>Tiger 1200 - All models</p> <p>Mud and Snow (M+S) tyres (approved by Triumph for off road and on road use in some countries only). The permissible maximum speed for M+S tyres is 60 mph (100 km/h).</p> 	2017 on	Pirelli	Scorpion Rally	Standard	120/70R19 60T	2.21 bar (32 lb/in <sup>2</sup> )	Scorpion Rally	Standard	170/60R17 72T	2.69 bar (39 lb/in <sup>2</sup> )
Tiger 1200 GT, Tiger 1200 GT Pro and Tiger 1200 GT Explorer	2022 on	Metzeler	Tourance Next	E	120/70R19 60V	2.21 bar (32 lb/in <sup>2</sup> )	Tourance Next	Standard	150/70 R18 70V	2.90 bar (42 lb/in <sup>2</sup> )
Tiger 1200 Rally Pro and Tiger 1200 Rally Explorer	2022 on	Metzeler Bridgestone	Karoo Street Battlax A41 Adventure	Standard E	90/90-21 54V 90/90-21 54V	2.34 bar (34 lb/in <sup>2</sup> )	Karoo Street Battlax A41 Adventure	Standard Standard	150/70 R18 70V 150/70 R18 70W	2.90 bar (42 lb/in <sup>2</sup> )
<p>Tiger 1200 GT, Tiger 1200 GT Pro and Tiger 1200 GT Explorer</p> <p>Mud and Snow (M+S) tyres (approved by Triumph for off road and on road use in some countries only). The permissible maximum speed for M+S tyres is 60 mph (100 km/h).</p> 	2022 on	Michelin	Anakee Wild	Standard	120/70 R19 60R	2.21 bar (32 lb/in <sup>2</sup> )	Anakee Wild	Standard	150/70 R18 70R	2.90 bar (42 lb/in <sup>2</sup> )
<p>Tiger 1200 Rally Pro and Tiger 1200 Rally Explorer</p> <p>Mud and Snow (M+S) tyres (approved by Triumph for off road and on road use in some countries only). The permissible maximum speed for M+S tyres is 60 mph (100 km/h).</p> 	2022 on	Michelin	Anakee Wild	Standard	90/90-21 54R	2.34 bar (34 lb/in <sup>2</sup> )	Anakee Wild	Standard	150/70 R18 70R	2.90 bar (42 lb/in <sup>2</sup> )
Tiger Sport (from VIN 570059 to 741390)	2013 on	Pirelli Pirelli Metzeler Dunlop Michelin	Angel ST Angel GT Roadtec Z8 Interact Roadsmart Pilot Road 3	A A Standard Standard Standard	120/70ZR17 120/70ZR17 120/70ZR17 120/70ZR17 120/70ZR17	2.34 bar (34 lb/in <sup>2</sup> )	Angel ST Angel GT Roadtec Z8 Interact Roadsmart Pilot Road 3	Standard Standard Standard Standard Standard	180/55ZR17 73W 180/55ZR17 73W 180/55ZR17 73W 180/55ZR17 73W 180/55ZR17 73W	2.90 bar (42 lb/in <sup>2</sup> )

# Adventure & Touring

# Index

Model	Model Year	Manufacturer	Front Tyre	Specification	Size	Pressure	Rear Tyre	Specification	Size	Pressure
Tiger Sport (from VIN 750470 to AD1190)	2016 on	Pirelli Pirelli Pirelli Dunlop	Angel ST Angel GT Scorpion Trail 2 Roadsmart	A A Standard Standard	120/70ZR17 58W 120/70ZR17 58W 120/70ZR17 58W 120/70ZR17 58W	2.34 bar (34 lb/in <sup>2</sup> )	Angel ST Angel GT Scorpion Trail 2 Roadsmart	Standard Standard Standard Standard	180/55ZR17 73W 180/55ZR17 73W 180/55ZR17 73W 180/55ZR17 73W	2.90 bar (42 lb/in <sup>2</sup> )
Tiger Sport (from VIN AU7774)	2022 on	Michelin Michelin Pirelli Metzeler	Road 5 Road 5 Diablo Rosso III Roadtec 01	A Standard Standard E	120/70ZR17 58W 120/70ZR17 58W 120/70ZR17 58W 120/70ZR17 58W	2.27 bar (33 lb/in <sup>2</sup> )	Road 5 Road 5 Diablo Rosso III Roadtec 01	A Standard Standard E	180/55ZR17 73W 180/55ZR17 73W 180/55ZR17 73W 180/55ZR17 73W	2.48 bar (36 lb/in <sup>2</sup> )
Sprint, Sprint Sport and Sprint Executive	1993 to 1994 1993 to 1994 1993 to 1994 1993 to 1994 1993 to 1994 1995 to 1998 1995 to 1998 1995 1996 to 1998 1996 to 1998 1996 to 1998	Bridgestone Dunlop Michelin Pirelli Michelin Dunlop Bridgestone Pirelli Metzeler Bridgestone Metzeler Michelin	BT50F K455FG A59X MTR03 Dragon GT 90X D202J BT54F MTR03 ME Z1F BT57F ME Z2 Macadam 90X		120/70-17 120/70-17 120/70-17 120/70ZR17 120/70-17 120/70-17 120/70-17 120/70-17 120/70-17 120/70-17 120/70-17 120/70-17	2.48 bar (36 lb/in <sup>2</sup> )	BT50R K455A M59X MTR04 Dragon GT 90X D202G BT54R MTR04 ME Z2 BT57R ME Z2 Macadam 90X		160/80-18 160/80-18 160/80-18 170/60ZR17 160/80-18 170/60-17 170/60-17 170/60-17 170/60-17 170/60-17 170/60-17 170/60-17	2.83 bar (41 lb/in <sup>2</sup> )
Trophy 900 and 1200	1991 to 1993 1991 to 1992 1991 to 1993 1993 1994 to 1995 1994 1995 on 1995 on 1995 on 1996	Dunlop Metzeler Michelin Bridgestone Dunlop Michelin Bridgestone Pirelli Metzeler Michelin	K455A ME1 MBS A59X BT50F D202J A89X BT54F MTR03 Dragon GT ME Z1F Macadam 90X		120/70-17 120/70-17 120/70-17 120/70-17 120/70-17 120/70-17 120/70-17 120/70ZR17 120/70-17 120/70-17	2.48 bar (36 lb/in <sup>2</sup> )	K455A ME1 MBS M59X BT50R D202G A89X BT54R MTR04 Dragon GT ME Z2 Macadam 90X		160/60-18 160/60-18 160/60-18 160/60-18 170/60-17 170/60-17 170/60-17 170/60ZR17 170/60-17 170/60-17	2.83 bar (41 lb/in <sup>2</sup> )
Sprint ST (up to VIN 139276)	1999 to 2001	Bridgestone Michelin	BT57G 90X		120/70-17 120/70-17	2.48 bar (36 lb/in <sup>2</sup> )	BT57G 90X		180/55-17 180/55-17	2.83 bar (41 lb/in <sup>2</sup> )
Sprint RS (from VIN 139277)	2000 to 2001	Bridgestone Michelin Bridgestone	BT020 90X BT57G		120/70-17 120/70-17 120/70-17	2.48 bar (36 lb/in <sup>2</sup> )	BT020 90X BT57G		180/55-17 180/55-17 180/55-17	2.83 bar (41 lb/in <sup>2</sup> )
Sprint ST 955 cc (from VIN 139277 up to VIN 208166)	2002 on	Bridgestone Bridgestone Michelin	BT57G BT010 100X		120/70-17 120/70-17 120/70-17	2.48 bar (36 lb/in <sup>2</sup> )	BT57G BT010 100X		180/55-17 180/55-17 180/55-17	2.90 bar (42 lb/in <sup>2</sup> )





# Adventure & Touring

# Index

Model	Model Year	Manufacturer	Front Tyre	Specification	Size	Pressure	Rear Tyre	Specification	Size	Pressure
Sprint RS 955 cc (up to VIN 139277)	2002 to 2003 2002 on 2002 on 2002 on	Bridgestone Bridgestone Michelin Bridgestone	BT020 BT010 100X BT57G		120/70-17 120/70-17 120/70-17 120/70-17	2.48 bar (36 lb/in <sup>2</sup> )	BT020 BT010 100X BT57G		180/55-17 180/55-17 180/55-17 180/55-17	2.90 bar (42 lb/in <sup>2</sup> )
Sprint ST 1050 cc (up to VIN 440388)	2005 to 2011	Bridgestone Bridgestone Metzeler	Battlax BT-020 Battlax BT-020 Roadtec Z6 Interact	Standard NN Standard	120/70ZR17 58W 120/70ZR17 58W 120/70ZR17 58W	2.48 bar (36 lb/in <sup>2</sup> )	Battlax BT-020 Battlax BT-020 Roadtec Z6 Interact	Standard NN C	180/55ZR17 73W 180/55ZR17 73W 180/55ZR17 73W	2.90 bar (42 lb/in <sup>2</sup> )
Sprint GT 1050 cc	2011 on	Bridgestone Pirelli Dunlop Michelin	Battlax BT-021 Angel ST Sportmax Roadsmart Pilot Road 2	FBZ A Standard D	120/70ZR17 58W 120/70ZR17 58W 120/70ZR17 58W 120/70ZR17 58W	2.48 bar (36 lb/in <sup>2</sup> )	Battlax BT-021 Angel ST Sportmax Roadsmart Pilot Road 2	Standard E Standard B	180/55ZR17 73W 180/55ZR17 73W 180/55ZR17 73W 180/55ZR17 73W	2.90 bar (42 lb/in <sup>2</sup> )
Sprint ST 1050 cc (from VIN 440389)	2011 on	Bridgestone Pirelli Dunlop Bridgestone	Battlax BT-021 Angel ST Sportmax Roadsmart Battlax BT-020	FBZ A Standard Standard	120/70ZR17 58W 120/70ZR17 58W 120/70ZR17 58W 120/70ZR17 58W	2.48 bar (36 lb/in <sup>2</sup> )	Battlax BT-021 Angel ST Sportmax Roadsmart Battlax BT-020	Standard E Standard U	180/55ZR17 73W 180/55ZR17 73W 180/55ZR17 73W 180/55ZR17 73W	2.90 bar (42 lb/in <sup>2</sup> )
Trophy and Trophy SE 1215 cc (from VIN 561284)	2013 on	Pirelli Metzeler Dunlop Dunlop	Angel ST Roadtec Z8 Interact Sportmax Roadsmart Sportmax Roadsmart II	A Standard Standard Standard	120/70ZR17 58W 120/70ZR17 58W 120/70ZR17 58W 120/70ZR17 58W	2.48 bar (36 lb/in <sup>2</sup> )	Angel ST Roadtec Z8 Interact Sportmax Roadsmart Sportmax Roadsmart II	Standard C K Standard	190/55ZR17 75W 190/55ZR17 75W 190/55ZR17 75W 190/55ZR17 75W	2.90 bar (42 lb/in <sup>2</sup> )
Tiger 900, Tiger 900 GT, Tiger 900 GT Low, Tiger 900 GT Pro	2020 on	Metzeler Pirelli Michelin	Tourance NEXT Scorpion Trail II Anakee Adventure	Standard Standard Standard	100/90-19 57V 100/90-19 57V 100/90-19 57V	2.48 bar (36 lb/in <sup>2</sup> )	Tourance NEXT Scorpion Trail II Anakee Adventure	Standard Standard Standard	150/70R17 69V 150/70R17 69V 150/70R17 69V	2.90 bar (42 lb/in <sup>2</sup> )
Tiger 900 Rally, Tiger 900 Rally Pro	2020 on	Bridgestone Metzeler Pirelli	Battlax Adventure A41 Tourance NEXT Scorpion Trail II	E Standard Standard	90/90-21 54V 90/90-21 54V 90/90-21 54V	2.34 bar (34 lb/in <sup>2</sup> )	Battlax Adventure A41 Tourance NEXT Scorpion Trail II	E Standard Standard	150/70R17 69V 150/70R17 69V 150/70R17 69V	2.90 bar (42 lb/in <sup>2</sup> )
Tiger 900 Rally, Tiger 900 Rally Pro Dual purpose tyres (approved by Triumph for off road and on road use in some countries only). The permissible maximum speed for dual purpose tyres is 60 mph (100 km/h).	2020 on	Pirelli	Scorpion Rally	Standard	90/90-21 54R	2.34 bar (34 lb/in <sup>2</sup> )	Scorpion Rally	Standard	150/70-17 69R	2.62 bar (38 lb/in <sup>2</sup> )

# Adventure & Touring

# Index

Model	Model Year	Manufacturer	Front Tyre	Specification	Size	Pressure	Rear Tyre	Specification	Size	Pressure
<p>Tiger 900 Rally, Tiger 900 Rally Pro</p> <p>Mud and Snow (M+S) tyres (approved by Triumph for off road and on road use in some countries only). The permissible maximum speed for M+S tyres is 60 mph (100 km/h).</p> 	2020 on	Michelin	Anakee Wild	Standard	90/90-21 54R	2.34 bar (34 lb/in <sup>2</sup> )	Anakee Wild	Standard	150/70R17 69R	2.90 bar (42 lb/in <sup>2</sup> )
Tiger 900 Bond Edition	2023 on	Bridgestone Metzeler Pirelli	Battlax Adventure A41 Tourance NEXT Scorpion Trail II	E Standard Standard	90/90-21 54V 90/90-21 54V 90/90-21 54V	2.34 bar (34 lb/in <sup>2</sup> )	Battlax Adventure A41 Tourance NEXT Scorpion Trail II	E Standard Standard	150/70R17 69V 150/70R17 69V 150/70R17 69V	2.90 bar (42 lb/in <sup>2</sup> )
<p>Tiger 900 Bond Edition</p> <p>Mud and Snow (M+S) tyres (approved by Triumph for off road and on road use in some countries only). The permissible maximum speed for M+S tyres is 60 mph (100 km/h).</p> 	2023 on	Michelin	Anakee Wild	Standard	90/90-21 54R	2.34 bar (34 lb/in <sup>2</sup> )	Anakee Wild	Standard	150/70R17 69R	2.90 bar (42 lb/in <sup>2</sup> )
<p>Tiger 900 Bond Edition</p> <p>Dual purpose tyres (approved by Triumph for off road and on road use in some countries only). The permissible maximum speed for dual purpose tyres is 60 mph (100 km/h).</p>	2023 on	Pirelli	Scorpion Rally	Standard	90/90-21 54R	2.34 bar (34 lb/in <sup>2</sup> )	Scorpion Rally	Standard	150/70-17 69R	2.62 bar (38 lb/in <sup>2</sup> )
Tiger 850 Sport	2021 on	Michelin Metzeler Pirelli	Anakee Adventure Tourance NEXT Scorpion Trail II	Standard Standard Standard	100/90-19 57V 100/90-19 57V 100/90-19 57V	2.48 bar (36 lb/in <sup>2</sup> )	Anakee Adventure Tourance NEXT Scorpion Trail II	Standard Standard Standard	150/70R17 69V 150/70R17 69V 150/70R17 69V	2.90 bar (42 lb/in <sup>2</sup> )

# Cruisers

# Index

Model	Model Year	Manufacturer	Front Tyre	Specification	Size	Pressure	Rear Tyre	Specification	Size	Pressure
America (carburettor models)	2002 on	Bridgestone Metzeler	L303 Lasertec		350-18 110/80-18	Solo - 2.07 bar (30 lb/in <sup>2</sup> ) Laden - 2.14 bar (31 lb/in <sup>2</sup> )	G456 ME880		170/80-15 170/80B15	Solo - 2.14 bar (31 lb/in <sup>2</sup> ) Laden - 2.48 bar (36 lb/in <sup>2</sup> )
Speedmaster 790 cc (carburettor models)	2003 on	Metzeler	Lasertec		110/80-18	Solo - 2.07 bar (30 lb/in <sup>2</sup> ) Laden - 2.14 bar (31 lb/in <sup>2</sup> )	ME880		170/80B15	Solo - 2.14 bar (31 lb/in <sup>2</sup> ) Laden - 2.48 bar (36 lb/in <sup>2</sup> )
Speedmaster 865 cc (carburettor models)	2004 to 2008	Metzeler	Lasertec		110/90-18	Solo - 2.07 bar (30 lb/in <sup>2</sup> ) Laden - 2.14 bar (31 lb/in <sup>2</sup> )	ME880		170/80B15	Solo - 2.14 bar (31 lb/in <sup>2</sup> ) Laden - 2.48 bar (36 lb/in <sup>2</sup> )
America (EFI models)	2008 to 2011	Metzeler	Lasertec	Standard	110/80-18 61H	2.48 bar (36 lb/ in <sup>2</sup> )	ME880 Marathon	Standard	170/80-15 77H	2.90 bar (42 lb/ in <sup>2</sup> )
America (EFI models)	2011 on	Metzeler	ME880 Marathon	Standard	130/90-16 67H	2.07 bar (30 lb/ in <sup>2</sup> )	ME880 Marathon	Standard	170/80-15 77H	2.90 bar (42 lb/ in <sup>2</sup> )
Speedmaster (EFI models)	2008 to 2011	Metzeler	Lasertec	Standard	110/80-18 61H	2.48 bar (36 lb/ in <sup>2</sup> )	ME880 Marathon	Standard	170/80-15 77H	2.90 bar (42 lb/ in <sup>2</sup> )
Speedmaster (EFI models)	2011 on	Metzeler	ME880 Marathon	Standard	100/90-19 57H	2.48 bar (36 lb/ in <sup>2</sup> )	ME880 Marathon	Standard	170/80-15 77H	2.90 bar (42 lb/ in <sup>2</sup> )
Rocket III	2005 to 2010	Metzeler	ME880 Marathon	Standard	150/80R17 72V	2.48 bar (36 lb/ in <sup>2</sup> )	ME880 Marathon	Standard	240/50R16 77V	2.90 bar (42 lb/ in <sup>2</sup> )
Rocket III Classic	2006 to 2009	Metzeler	ME880 Marathon	Standard	150/80R17 72V	2.48 bar (36 lb/ in <sup>2</sup> )	ME880 Marathon	Standard	240/50R16 84V	2.90 bar (42 lb/ in <sup>2</sup> )
Rocket III Touring	2008 on	Metzeler	ME880 Marathon	Standard	150/80R16 71V	2.48 bar (36 lb/ in <sup>2</sup> )	ME880 Marathon	Standard	180/70R16 77H	2.90 bar (42 lb/ in <sup>2</sup> )
Rocket III Roadster	2010 on	Metzeler	ME880 Marathon	Standard	150/80R17 72V	2.34 bar (34 lb/ in <sup>2</sup> )	ME880 Marathon	Standard	240/50R16 84V	2.90 bar (42 lb/ in <sup>2</sup> )
Thunderbird and Thunderbird Storm/ Night Storm	2009 on	Metzeler Dunlop	ME880 Marathon Sportmax D208	Standard Standard	120/70R19 60V 120/70R19 60W	2.48 bar (36 lb/ in <sup>2</sup> )	ME880 Marathon Sportmax D208	Standard Standard	200/50R17 75W 200/50R17 75W	2.62 bar (38 lb/ in <sup>2</sup> )
Thunderbird Commander	2014 on	Metzeler	ME880 Marathon	Standard	140/75R17 67W	2.48 bar (36 lb/ in <sup>2</sup> )	ME880 Marathon	Standard	200/50R17 75W	2.62 bar (38 lb/ in <sup>2</sup> )
Thunderbird LT	2014 on	Avon Metzeler	Cobra Whitewall ME880 Marathon	Standard Standard	150/80R16 71H 150/80R16 71H	2.48 bar (36 lb/ in <sup>2</sup> ) 2.69 bar (39 lb/ in <sup>2</sup> )	Cobra Whitewall ME880 Marathon	Standard Standard	180/70R16 77H 180/70R16 77H	3.03 bar (44 lb/ in <sup>2</sup> ) 2.90 bar (42 lb/ in <sup>2</sup> )
Rocket 3 GT and Rocket 3 GT Triple Black	2020 on	Avon	Cobra Chrome	Standard	150/80R17 72V	2.90 bar (42 lb/ in <sup>2</sup> )	Cobra Chrome	Standard	240/50R16 84V	2.90 bar (42 lb/ in <sup>2</sup> )
Rocket 3 R and Rocket 3 R Black	2020 on	Avon	Cobra Chrome	Standard	150/80R17 72V	2.90 bar (42 lb/ in <sup>2</sup> )	Cobra Chrome	Standard	240/50R16 84V	2.90 bar (42 lb/ in <sup>2</sup> )

---

Model	Model Year	Manufacturer	Front Tyre	Specification	Size	Pressure	Rear Tyre	Specification	Size	Pressure
Rocket 3 TFC	2020 on	Avon	Cobra Chrome	Standard	150/80R17 72V	2.90 bar (42 lb/in <sup>2</sup> )	Cobra Chrome	Standard	240/50R16 84V	2.90 bar (42 lb/in <sup>2</sup> )

# Modern Classics

# Index

Model	Model Year	Manufacturer	Front Tyre	Specification	Size	Pressure	Rear Tyre	Specification	Size	Pressure
Thunderbird	1995 to 1998 1995 to 1998 1999 on 1999 on	Michelin Avon Michelin Pirelli	A89X AV27 Macadam 90X MTR03		110/80ZR18 110/80-18 58H 110/80-18 110/80ZR18 58W	2.48 bar (36 lb/in <sup>2</sup> )	M89X ELAN II RL30 Macadam 90X MTR04		160/80ZR16 160/80-16 75H 150/80-16 150/80ZR16 71W	2.90 bar (42 lb/in <sup>2</sup> )
Adventurer (up to VIN 71698)	1996 to 1998	Avon Michelin Dunlop	AV27 A89X K105F		110/80-18 110/80-18 110/80-18	2.48 bar (36 lb/in <sup>2</sup> )	Elan II RL30 M89X K700J		160/80-16 160/80-16 160/80-16	2.90 bar (42 lb/in <sup>2</sup> )
Adventurer (from VIN 71699)	1999 on	Michelin Metzeler	Macadam 50 ME 33		110/90-18 110/90-18	2.48 bar (36 lb/in <sup>2</sup> )	Macadam 50 ME Z2		150/80-16 150/80-16	2.90 bar (42 lb/in <sup>2</sup> )
Thunderbird Sport	1998 to 1999 1998 to 1999 2000 on 2000 on	Avon Pirelli Pirelli Metzeler	AV27 Dragon GT MTR23 ME Z4B		120/70R17 120/70R17 120/70R17 120/70R17	2.48 bar (36 lb/in <sup>2</sup> )	AV281 Dragon GT MTR24 ME Z4		160/70R17 160/70R17 160/70R17 160/70R17	2.90 bar (42 lb/in <sup>2</sup> )
Legend TT	1999 on	Bridgestone Michelin Michelin	BT57 M90X Macadam		120/70R17 120/70R17 120/70R17	2.48 bar (36 lb/in <sup>2</sup> )	BT57 M90X Macadam		160/60-17 160/60-17 160/60-17	2.90 bar (42 lb/in <sup>2</sup> )
Bonneville (carburettor models)	2001 on	Bridgestone Metzeler	BT45 F ME 33 Laser		100/90-19 100/90-19	2.27 bar (33 lb/in <sup>2</sup> )	BT45 R ME Z2		130/80-17 130/80R17	2.62 bar (38 lb/in <sup>2</sup> )
Bonneville T100 (carburettor models)	2001 on	Metzeler	ME 33 Laser		100/90-19	2.27 bar (33 lb/in <sup>2</sup> )	ME Z2		130/80R17	2.62 bar (38 lb/in <sup>2</sup> )
Scrambler (carburettor models)	2006 on	Bridgestone	TW 101	Standard	100/90-19	2.07 bar (30 lb/in <sup>2</sup> )	TW 42	Standard	130/80-17	2.34 bar (34 lb/in <sup>2</sup> )
Thruxton (carburettor models)	2005 on	Metzeler	Lasertec	Standard	100/90-18	2.27 bar (33 lb/in <sup>2</sup> )	ME Z2	Standard	130/80R17	2.62 bar (38 lb/in <sup>2</sup> )
Bonneville (EFI models)	2008 to 2009	Metzeler	Lasertec	Standard	100/90-19	2.27 bar (33 lb/in <sup>2</sup> )	ME Z2	Standard	130/80R17	2.83 bar (41 lb/in <sup>2</sup> )
Bonneville (EFI models)	2009 on	Metzeler	ME Z4	Standard	110/70R17 54H	2.27 bar (33 lb/in <sup>2</sup> )	ME Z2	Standard	130/80R17 65H	2.83 bar (41 lb/in <sup>2</sup> )
Bonneville T100 (EFI models) including Steve McQueen™ edition and Bonneville 110th edition	2008 on	Metzeler	Lasertec	Standard	100/90-19 57H	2.27 bar (33 lb/in <sup>2</sup> )	ME Z2	Standard	130/80R17 65H	2.83 bar (41 lb/in <sup>2</sup> )
Scrambler (EFI models)	2008 on	Bridgestone	Trail Wing TW-101	Standard	100/90-19 57H	2.07 bar (30 lb/in <sup>2</sup> )	Trail Wing TW-42	Standard	130/80R17 65H	2.83 bar (41 lb/in <sup>2</sup> )
Thruxton (EFI models)	2008 on	Metzeler	Lasertec	Standard	100/90-18 56H	2.21 bar (32 lb/in <sup>2</sup> )	ME Z2	Standard	130/80R17 65H	2.83 bar (41 lb/in <sup>2</sup> )
Street Twin	2016 on	Pirelli	Phantom Sportscomp	Standard	100/90-18 56H	2.21 bar (32 lb/in <sup>2</sup> )	Phantom Sportscomp	Standard	150/70R17 69H	2.48 bar (36 lb/in <sup>2</sup> )
Street Twin A2	2016 on	Pirelli	Phantom Sportscomp	Standard	100/90-18 56H	2.21 bar (32 lb/in <sup>2</sup> )	Phantom Sportscomp	Standard	150/70R17 69H	2.48 bar (36 lb/in <sup>2</sup> )




# Modern Classics

# Index

Model	Model Year	Manufacturer	Front Tyre	Specification	Size	Pressure	Rear Tyre	Specification	Size	Pressure
Street Twin Goldline	2021 on	Pirelli	Phantom Sportscomp	Standard	100/90-18 56H	2.21 bar (32 lb/in <sup>2</sup> )	Phantom Sportscomp	Standard	150/70R17 69H	2.48 bar (36 lb/in <sup>2</sup> )
Street Cup	2016 on	Pirelli Avon	Phantom Sportscomp Storm 3D X-M	Standard Standard	100/90-18 56H 100/90R18 56V	2.21 bar (32 lb/in <sup>2</sup> )	Phantom Sportscomp Storm 3D X-M	Standard Standard	150/70R17 69H 150/70R17 69V	2.48 bar (36 lb/in <sup>2</sup> )
Street Scrambler	2016 on	Metzeler	Tourance	Standard	100/90-19 57H	2.07 bar (30 lb/in <sup>2</sup> )	Tourance	Standard	150/70R17 69V	2.48 bar (36 lb/in <sup>2</sup> )
Street Scrambler Sandstorm	2021 on	Metzeler	Tourance	Standard	100/90-19 57H	2.07 bar (30 lb/in <sup>2</sup> )	Tourance	Standard	150/70R17 69V	2.48 bar (36 lb/in <sup>2</sup> )
Bonneville T100 (from VIN 759204 to AD4189)	2016 on	Pirelli	Phantom Sportscomp	Standard	100/90-18 56H	2.21 bar (32 lb/in <sup>2</sup> )	Phantom Sportscomp	Standard	150/70R17 69H	2.48 bar (36 lb/in <sup>2</sup> )
Bonneville T100 (from VIN AC5927)	2021 on	Pirelli Pirelli	Phantom Sportscomp Phantom Sportscomp (China only)	Standard B	100/90-18 56H 100/90-18 56H	2.21 bar (32 lb/in <sup>2</sup> )	Phantom Sportscomp	Standard	150/70R17 69H	2.48 bar (36 lb/in <sup>2</sup> )
Bonneville T100 Bud Ekins Special Edition	2020 on	Pirelli	Phantom Sportscomp	Standard	100/90-18 56H	2.21 bar (32 lb/in <sup>2</sup> )	Phantom Sportscomp	Standard	150/70R17 69H	2.48 bar (36 lb/in <sup>2</sup> )
Bonneville T120 (up to VIN AE2212)	2016 on	Pirelli Avon	Phantom Sportscomp Storm 3D X-M	Standard Standard	100/90-18 56H 100/90 R18 56W	2.21 bar (32 lb/in <sup>2</sup> )	Phantom Sportscomp Storm 3D X-M	Standard Standard	150/70R17 69H 150/70R17 69W	2.48 bar (36 lb/in <sup>2</sup> )
Bonneville T120 (from VIN AC6310) and Bonneville T120 Black	2021 on	Pirelli Pirelli	Phantom Sportscomp Phantom Sportscomp (China only)	Standard B	100/90-18 56H 100/90-18 56H	2.21 bar (32 lb/in <sup>2</sup> )	Phantom Sportscomp	Standard	150/70R17 69H	2.48 bar (36 lb/in <sup>2</sup> )
Bonneville T120 Bud Ekins Special Edition	2020 on	Pirelli Avon	Phantom Sportscomp Storm 3D X-M	Standard Standard	100/90-18 56H 100/90 R18 56W	2.21 bar (32 lb/in <sup>2</sup> )	Phantom Sportscomp Storm 3D X-M	Standard Standard	150/70R17 69H 150/70R17 69W	2.48 bar (36 lb/in <sup>2</sup> )
Bonneville T120 Ace and Bonneville T120 Diamond	2019 on	Pirelli Avon	Phantom Sportscomp Storm 3D X-M	Standard Standard	100/90-18 56H 100/90 R18 56W	2.21 bar (32 lb/in <sup>2</sup> )	Phantom Sportscomp Storm 3D X-M	Standard Standard	150/70R17 69H 150/70R17 69W	2.48 bar (36 lb/in <sup>2</sup> )
Bonneville Bobber TFC	2020 on	Avon Bridgestone	Cobra AV71 Exedra Max	Standard Standard	100/90-19 57V 100/90-19 57H	2.21 bar (32 lb/in <sup>2</sup> )	Cobra AV72 Exedra Max	Standard Standard	150/80R16 71V 150/80B16 71H	2.90 bar (42 lb/in <sup>2</sup> )
Bonneville Bobber (up to VIN AC6383)	2016 on	Avon Bridgestone Avon	Cobra AV71 Exedra Max Cobra AV71 WW	Standard Standard Standard	100/90-19 57V 100/90-19 57H 100/90-19 57H	2.21 bar (32 lb/in <sup>2</sup> )	Cobra AV72 Exedra Max Cobra AV72 WW	Standard Standard Standard	150/80R16 71V 150/80B16 71H 150/80R16 71V	2.90 bar (42 lb/in <sup>2</sup> )
Bonneville Bobber (from VIN AC1196)	2021 on	Avon Avon	Cobra AV71 Cobra AV71 WW	Standard Standard	MT90B16 74H MT90B16 74H	2.27 bar (33 lb/in <sup>2</sup> )	Cobra AV72 Cobra AV72 WW	Standard Standard	150/80R16 71V 150/80R16 71V	2.62 bar (38 lb/in <sup>2</sup> )
Bonneville Bobber Black	2017 on	Avon Avon	Cobra AV71 Cobra AV71 WW	Standard Standard	MT90B16 74H MT90B16 74H	2.27 bar (33 lb/in <sup>2</sup> )	Cobra AV72 Cobra AV72 WW	Standard Standard	150/80R16 71V 150/80R16 71V	2.62 bar (38 lb/in <sup>2</sup> )
Bonneville Speedmaster	2017 on	Avon Avon	Cobra AV71 Cobra AV71 WW	Standard Standard	MT90B16 74H MT90B16 74H	2.27 bar (33 lb/in <sup>2</sup> )	Cobra AV72 Cobra AV72WW	Standard Standard	150/80R16 71V 150/80R16 71V	2.48 bar (36 lb/in <sup>2</sup> )
Scrambler 1200 XC (up to VIN AD7675)	2019 on	Metzeler Avon Michelin	Tourance TrailRider Anakee 3	Standard Standard Standard	90/90-21 54H 90/90-21 54V 90/90-21 54V	2.48 bar (36 lb/in <sup>2</sup> )	Tourance TrailRider Anakee 3	Standard Standard Standard	150/70R17 69V 150/70R17 69V 150/70R17 69V	2.90 bar (42 lb/in <sup>2</sup> )

# Modern Classics

# Index

Model	Model Year	Manufacturer	Front Tyre	Specification	Size	Pressure	Rear Tyre	Specification	Size	Pressure
Scrambler 1200 XE (up to VIN AB6805)	2019 on	Metzeler Avon Michelin	Tourance TrailRider Anakee 3	Standard Standard Standard	90/90-21 54H 90/90-21 54V 90/90-21 54V	2.48 bar (36 lb/in <sup>2</sup> )	Tourance TrailRider Anakee 3	Standard Standard Standard	150/70R17 69V 150/70R17 69V 150/70R17 69V	2.90 bar (42 lb/in <sup>2</sup> )
Scrambler 1200 XC (from VIN AE9098)	2021 on	Metzeler	Tourance	Standard	90/90-21 54V	2.48 bar (36 lb/in <sup>2</sup> )	Tourance	Standard	150/70R17 69V	2.90 bar (42 lb/in <sup>2</sup> )
Scrambler 1200 XE (from VIN AC8499)	2021 on	Metzeler	Tourance	Standard	90/90-21 54V	2.48 bar (36 lb/in <sup>2</sup> )	Tourance	Standard	150/70R17 69V	2.90 bar (42 lb/in <sup>2</sup> )
Scrambler 1200 Steve McQueen Edition	2021 on	Metzeler	Tourance	Standard	90/90-21 54H	2.48 bar (36 lb/in <sup>2</sup> )	Tourance	Standard	150/70R17 69V	2.90 bar (42 lb/in <sup>2</sup> )
Scrambler 1200 XC, Scrambler 1200 XE and Scrambler 1200 Steve McQueen Edition  Mud and Snow (M+S) tyres (approved by Triumph for off road and on road use in some countries only). The permissible maximum speed for M+S tyres is 60 mph (100 km/h).	2019 on	Pirelli	Scorpion Rally	Standard	90/90-21 54R M +S TL	2.48 bar (36 lb/in <sup>2</sup> )	Scorpion Rally	Standard	150/70R17 69R M +S TL	2.62 bar (38 lb/in <sup>2</sup> )
   100 KM/H (60 MPH) MAX										
Speed Twin (up to VIN AE3665)	2019 on	Pirelli Pirelli	Rosso III Rosso Corsa II	Standard Standard	120/70ZR17 58W 120/70ZR17 58W	2.48 bar (36 lb/in <sup>2</sup> )	Rosso III Rosso Corsa II	Standard Standard	160/60ZR17 69W 160/60ZR17 69W	2.90 bar (42 lb/in <sup>2</sup> )
Speed Twin (from VIN AF3244)	2022 on	Metzeler Pirelli Pirelli	Racetec RR K3 (All markets except China) Diablo Rosso Corsa CCC Diablo Rosso Corsa II (All markets except China)	Standard Standard Standard	120/70ZR17 58W 120/70ZR17 58W 120/70ZR17 58W	2.48 bar (36 lb/in <sup>2</sup> )	Racetec RR K3 (All markets except China) Diablo Rosso Corsa CCC Diablo Rosso Corsa II (All markets except China)	Standard Standard Standard	160/60ZR17 69W 160/60ZR17 69W 160/60ZR17 69W	2.90 bar (42 lb/in <sup>2</sup> )
Speed Twin Breitling Edition	2023 on	Metzeler Pirelli	Racetec RR K3 (All markets except China) Diablo Rosso Corsa CCC	Standard Standard	120/70ZR17 58W 120/70ZR17 58W	2.48 bar (36 lb/in <sup>2</sup> )	Racetec RR K3 (All markets except China) Diablo Rosso Corsa CCC	Standard Standard	160/60ZR17 69W 160/60ZR17 69W	2.90 bar (42 lb/in <sup>2</sup> )
Thruxton 1200	2016 on	Pirelli Pirelli Metzeler	Angel GT Diablo Rosso Corsa Racetec RR K3	A Standard Standard	120/70ZR17 58W 120/70ZR17 58W 120/70ZR17 58W	2.48 bar (36 lb/in <sup>2</sup> )	Angel GT Diablo Rosso Corsa Racetec RR K3	Standard Standard Standard	160/60ZR17 69W 160/60ZR17 69W 160/60ZR17 69W	2.48 bar (36 lb/in <sup>2</sup> )
Thruxton 1200R	2016 on	Pirelli Pirelli Metzeler	Diablo Rosso Corsa Angel GT Racetec RR K3	Standard A Standard	120/70ZR17 58W 120/70ZR17 58W 120/70ZR17 58W	2.48 bar (36 lb/in <sup>2</sup> )	Diablo Rosso Corsa Angel GT Racetec RR K3	Standard Standard Standard	160/60ZR17 69W 160/60ZR17 69W 160/60ZR17 69W	2.48 bar (36 lb/in <sup>2</sup> )
Thruxton RS	2020 on	Metzeler Pirelli	Racetec RR K3 Diablo Rosso Corsa II	Standard Standard	120/70ZR17 58W 120/70ZR17 58W	2.48 bar (36 lb/in <sup>2</sup> )	Racetec RR K3 Diablo Rosso Corsa II	Standard Standard	160/60ZR17 69W 160/60ZR17 69W	2.48 bar (36 lb/in <sup>2</sup> )

Model	Model Year	Manufacturer	Front Tyre	Specification	Size	Pressure	Rear Tyre	Specification	Size	Pressure
Thrupton TFC	2019 on	Metzeler Pirelli Pirelli	Racetec RR K3 Diablo Rosso Corsa II Angel GT	Standard Standard A	120/70ZR17 58W 120/70ZR17 58W 120/70ZR17 58W	2.48 bar (36 lb/ in <sup>2</sup> )	Racetec RR K3 Diablo Rosso Corsa II Angel GT	Standard Standard Standard	160/60ZR17 69W 160/60ZR17 69W 160/60ZR17 69W	2.48 bar (36 lb/ in <sup>2</sup> )

# Roadsters & Supersports

# Index

Model	Model Year	Manufacturer	Front Tyre	Specification	Size	Pressure	Rear Tyre	Specification	Size	Pressure
Speed Triple 900 cc	1994 on	Michelin	TX11		120/70-17	2.21 bar (32 lb/in <sup>2</sup> )	TX23A		180/55-17	2.62 bar (38 lb/in <sup>2</sup> )
	1994 on	Bridgestone	BT50F		120/70-17		BT50 Radial G		180/55-17	
	1994 to 1995	Michelin	TX11		120/70-17		TX23B		180/55-17	
	1995 on	Dunlop	D203 Sportmax		120/70-17		D203 Sportmax		180/55-17	
	1996	Michelin	TX15		120/70-17		TX25		180/55-17	
	1994 to 1996	Pirelli	MTR01 Corsa		120/70-17		MTR02 Corsa		180/55-17	
	1994 to 1996	Metzeler	ME Z12		120/70-17		ME Z1R		180/55-17	
	1994 to 1996	Pirelli	MTR01		120/70-17		MTR02		180/55-17	
Speed Triple 750 cc	1996 to 1997	Michelin	90X		120/70-17	2.21 bar (32 lb/in <sup>2</sup> )	90X		160/60-18	2.62 bar (38 lb/in <sup>2</sup> )
		Pirelli	MTR03 Dragon GT		120/70-17		MTR04 Dragon GT		160/60-18	
Trident 750 cc and 900 cc	1991 to 1995	Dunlop	K455F		120/70-17	2.48 bar (36 lb/in <sup>2</sup> )	K455A		160/60-18	2.83 bar (41 lb/in <sup>2</sup> )
	1991 on	Michelin	A59X		120/70-17		M59X		160/60-18	
	1991 on	Pirelli	MTR03 Dragon GT		120/70-17		MTR04 Dragon GT		160/60-18	
	1993 on	Bridgestone	BT50F		120/70-17		BT50R		160/60-18	
		Michelin	90X		120/70-17		90X		160/60-18	
Trident	2021 on	Michelin	Road 5	A	120/70ZR17 58W	2.34 bar (34 lb/in <sup>2</sup> )	Road 5	A	180/55ZR17 73W	2.90 bar (42 lb/in <sup>2</sup> )
		Michelin	Road 5	Standard	120/70ZR17 58W		Road 5	Standard	180/55ZR17 73W	
		Pirelli	Diablo Rosso III	Standard	120/70ZR17 58W		Diablo Rosso III	Standard	180/55ZR17 73W	
		Metzeler	Roadtec 01	E	120/70ZR17 58W		Roadtec 01	E	180/55ZR17 73W	
Speed Triple 885 cc and 955 cc (up to VIN 141871)	1997 on	Bridgestone	BT56		120/70-17	2.21 bar (32 lb/in <sup>2</sup> )	BT56		190/50-17	2.90 bar (42 lb/in <sup>2</sup> )
		Michelin	TX15 Hi Sport		120/70-17		TX25 Hi Sport		190/50-17	
		Metzeler	RCG		120/70-17		RCG		190/50-17	
Speed Triple 955 cc (from VIN 141872 to 210444)	2002 on	Bridgestone	BT010		120/70-17	2.21 bar (32 lb/in <sup>2</sup> )	BT010		190/50-17	2.90 bar (42 lb/in <sup>2</sup> )
		Pirelli	Dragon Evo		120/70-17		Dragon Evo		190/50-17	
		Metzeler	ME Z3		120/70-17		ME Z3		190/50-17	
Speed Four	2002 on	Bridgestone	BT010		120/70R17	2.34 bar (34 lb/in <sup>2</sup> )	BT010		180/55R17	2.62 bar (38 lb/in <sup>2</sup> )
		Michelin	Pilot Sport		120/70R17		Pilot Sport		180/55R17	
		Pirelli	Dragon Evo		120/70R17		Dragon Evo		180/55R17	
Speed Triple 1050 cc (from VIN 210445 to 332110)	2005 to 2009	Michelin	Pilot Power		120/70ZR17	2.34 bar (34 lb/in <sup>2</sup> )	Pilot Power		180/55ZR17	2.90 bar (42 lb/in <sup>2</sup> )
		Bridgestone	BT14		120/70ZR17		BT14		180/55ZR17	
Speed Triple 1050 cc (from VIN 332110 to 461331)	2009 to 2011	Metzeler	Sportec M3	C	120/70ZR17 58W	2.34 bar (34 lb/in <sup>2</sup> )	Sportec M3	Standard	180/55ZR17 73W	2.90 bar (42 lb/in <sup>2</sup> )
		Dunlop	Sportmax Qualifier	Standard	120/70ZR17 58W		Sportmax Qualifier	Standard	180/55ZR17 73W	
		Bridgestone	Battlax BT-015	G	120/70ZR17 58W		Battlax BT-015	E	180/55ZR17 73W	
		Bridgestone	Battlax BT-016	Standard	120/70ZR17 58W		Battlax BT-016	Standard	180/55ZR17 73W	

# Roadsters & Supersports

# Index

Model	Model Year	Manufacturer	Front Tyre	Specification	Size	Pressure	Rear Tyre	Specification	Size	Pressure
Speed Triple 1050 cc (from VIN 461332 to 733009)	2011 on	Metzeler Bridgestone Bridgestone Pirelli Michelin Michelin	Racetec Interact K3 Battlax BT-003 Racing Street Battlax BT-016 Diablo Rosso Corsa Power Pure Pilot Road 2	Standard Standard Standard Standard Standard Standard	120/70ZR17 58W 120/70ZR17 58W 120/70ZR17 58W 120/70ZR17 58W 120/70ZR17 58W 120/70ZR17 58W	2.34 bar (34 lb/in <sup>2</sup> )	Racetec Interact K3 Battlax BT-003 Racing Street Battlax BT-016 Diablo Rosso Corsa Power Pure Pilot Road 2	Standard Standard Standard Standard Standard Standard	190/55ZR17 75W 190/55ZR17 75W 190/55ZR17 75W 190/55ZR17 75W 190/55ZR17 75W 190/55ZR17 75W	2.90 bar (42 lb/in <sup>2</sup> )
Speed Triple R 1050 cc (up to VIN 733009)	2012 on 2012 on 2012 on 2013 on	Metzeler Bridgestone Michelin Pirelli Pirelli	Racetec Interact K3 Battlax BT-016 Pilot Road 2 Racetec Interact K3 Diablo Supercorsa SP	Standard Standard Standard Standard Standard	120/70ZR17 58W 120/70ZR17 58W 120/70ZR17 58W 120/70ZR17 58W 120/70ZR17 58W	2.34 bar (34 lb/in <sup>2</sup> )	Racetec Interact K3 Battlax BT-016 Pilot Road 2 Racetec Interact K3 Diablo Supercorsa SP	Standard Standard Standard Standard Standard	190/55ZR17 75W 190/55ZR17 75W 190/55ZR17 75W 190/55ZR17 75W 190/55ZR17 75W	2.90 bar (42 lb/in <sup>2</sup> )
Speed Triple S (from VIN 735438 to 846800) and Speed Triple R (from VIN 735337)	2016 on	Pirelli Pirelli Metzeler Michelin	Diablo Supercorsa SP Diablo Rosso Corsa Sportec M7 RR Pilot Road 3	Standard Standard M Standard	120/70ZR17 58W 120/70ZR17 58W 120/70ZR17 58W 120/70ZR17 58W	2.34 bar (34 lb/in <sup>2</sup> )	Diablo Supercorsa SP Diablo Rosso Corsa Sportec M7 RR Pilot Road 3	Standard Standard Standard Standard	190/55ZR17 75W 190/55ZR17 75W 190/55ZR17 75W 190/55ZR17 75W	2.90 bar (42 lb/in <sup>2</sup> )
Speed Triple S (from VIN 867685) and Speed Triple RS	2018 on	Pirelli	Diablo Supercorsa SP	Standard	120/70ZR17 58W	2.34 bar (34 lb/in <sup>2</sup> )	Diablo Supercorsa SP	Standard	190/55ZR17 75W	2.90 bar (42 lb/in <sup>2</sup> )
Speed Triple 1200 RS	2021 on	Metzeler Pirelli Pirelli	Racetec RR K3 Diablo Supercorsa SP V3 Diablo Supercorsa SC V3	Standard Standard SC2	120/70ZR17 58W 120/70ZR17 58W 120/70ZR17 58W	2.34 bar (34 lb/in <sup>2</sup> )	Racetec RR K3 Diablo Supercorsa SP V3 Diablo Supercorsa SC V3	Standard Standard SC2	190/55ZR17 75W 190/55ZR17 75W 190/55ZR17 75W	2.90 bar (42 lb/in <sup>2</sup> )
Speed Triple 1200 RR	2022 on	Pirelli Pirelli Pirelli Metzeler	Diablo Supercorsa SP V3 Diablo Supercorsa SP V3 Diablo Supercorsa SC V3 Racetec RR K3	Standard C Standard SC2	120/70ZR17 58W 120/70ZR17 58W 120/70ZR17 58W 120/70ZR17 58W	2.34 bar (34 lb/in <sup>2</sup> )	Diablo Supercorsa SP V3 Diablo Supercorsa SP V3 Diablo Supercorsa SC V3 Racetec RR K3	Standard Standard SC2 Standard	190/55ZR17 75W 190/55ZR17 75W 190/55ZR17 75W 190/55ZR17 75W	2.90 bar (42 lb/in <sup>2</sup> )
Street Triple (up to VIN 459241)	2007 to 2009 2007 to 2009 2007 to 2009	Bridgestone Bridgestone Dunlop	Battlax BT-016 Battlax BT-015 Sportmax Qualifier	Standard G Standard	120/70ZR17 58W 120/70ZR17 58W 120/70ZR17 58W	2.34 bar (34 lb/in <sup>2</sup> )	Battlax BT-016 Battlax BT-015 Sportmax Qualifier	Standard E Standard	180/55ZR17 73W 180/55ZR17 73W 180/55ZR17 73W	2.90 bar (42 lb/in <sup>2</sup> )
Street Triple (from VIN 459241 to 560476)	2012 to 2013 2010 to 2013 2010 to 2013 2012 to 2013	Bridgestone Pirelli Metzeler Dunlop	Battlax BT-016 Diablo Rosso Corsa Sportec M3 Sportmax Qualifier	Standard K C Standard	120/70ZR17 58W 120/70ZR17 58W 120/70ZR17 58W 120/70ZR17 58W	2.34 bar (34 lb/in <sup>2</sup> )	Battlax BT-016 Diablo Rosso Corsa Sportec M3 Sportmax Qualifier	Standard Standard Standard Standard	180/55ZR17 73W 180/55ZR17 73W 180/55ZR17 73W 180/55ZR17 73W	2.90 bar (42 lb/in <sup>2</sup> )
Street Triple R (up to VIN 452037)	2007 to 2009	Dunlop	Sportmax Qualifier	Standard	120/70ZR17 58W	2.34 bar (34 lb/in <sup>2</sup> )	Sportmax Qualifier	Standard	180/55ZR17 73W	2.90 bar (42 lb/in <sup>2</sup> )
Street Triple R (from VIN 452037 to 560477)	2009 to 2013 2012 to 2013 2012 to 2013 2012 to 2013	Dunlop Pirelli Bridgestone Pirelli	Sportmax Qualifier Diablo Rosso Corsa Battlax BT-016 Dragon Supercorsa Pro	Standard Standard Standard Standard	120/70ZR17 58W 120/70ZR17 58W 120/70ZR17 58W 120/70ZR17 58W	2.34 bar (34 lb/in <sup>2</sup> )	Sportmax Qualifier Diablo Rosso Corsa Battlax BT-016 Dragon Supercorsa Pro	Standard Standard Standard Standard	180/55ZR17 73W 180/55ZR17 73W 180/55ZR17 73W 180/55ZR17 73W	2.90 bar (42 lb/in <sup>2</sup> )



# Roadsters & Supersports

# Index

Model	Model Year	Manufacturer	Front Tyre	Specification	Size	Pressure	Rear Tyre	Specification	Size	Pressure
Street Triple, Street Triple R (from VIN 560477 to 793031) and Street Triple Rx	2013 on	Pirelli Metzeler Dunlop Bridgestone	Diablo Rosso Corsa Sportec M5 Interact Sportmax Qualifier II Battlax BT-016 Pro	Standard Standard Standard Standard	120/70ZR17 58W 120/70ZR17 58W 120/70ZR17 58W 120/70ZR17 58W	2.34 bar (34 lb/in <sup>2</sup> )	Diablo Rosso Corsa Sportec M5 Interact Sportmax Qualifier II Battlax BT-016 Pro	Standard Standard Standard Standard	180/55ZR17 73W 180/55ZR17 73W 180/55ZR17 73W 180/55ZR17 73W	2.90 bar (42 lb/in <sup>2</sup> )
Street Triple S (from VIN 803572 to 960694)	2017 to 2019	Pirelli Pirelli Metzeler	Diablo Rosso Corsa Diablo Supercorsa SP Racetec RR K3	Standard Standard Standard	120/70ZR17 58W 120/70ZR17 58W 120/70ZR17 58W	2.34 bar (34 lb/in <sup>2</sup> )	Diablo Rosso Corsa Diablo Supercorsa SP Racetec RR K3	Standard Standard Standard	180/55ZR17 73W 180/55ZR17 73W 180/55ZR17 73W	2.90 bar (42 lb/in <sup>2</sup> )
Street Triple S 660cc LAMS (Australia and New Zealand only) (from VIN 818083 to 961570)	2017 to 2019	Pirelli Pirelli Metzeler	Diablo Rosso Corsa Diablo Supercorsa SP Racetec RR K3	Standard Standard Standard	120/70ZR17 58W 120/70ZR17 58W 120/70ZR17 58W	2.34 bar (34 lb/in <sup>2</sup> )	Diablo Rosso Corsa Diablo Supercorsa SP Racetec RR K3	Standard Standard Standard	180/55ZR17 73W 180/55ZR17 73W 180/55ZR17 73W	2.90 bar (42 lb/in <sup>2</sup> )
Street Triple S A2 licence version (from VIN 823373 to 968958)	2018 to 2019	Pirelli Pirelli Metzeler	Diablo Rosso Corsa Diablo Supercorsa SP Racetec RR K3	Standard Standard Standard	120/70ZR17 58W 120/70ZR17 58W 120/70ZR17 58W	2.34 bar (34 lb/in <sup>2</sup> )	Diablo Rosso Corsa Diablo Supercorsa SP Racetec RR K3	Standard Standard Standard	180/55ZR17 73W 180/55ZR17 73W 180/55ZR17 73W	2.90 bar (42 lb/in <sup>2</sup> )
Street Triple S 660cc LAMS (Australia and New Zealand only) (from VIN 967907)	2020 on	Pirelli Pirelli Metzeler	Diablo Rosso III Diablo Supercorsa SP V3 Racetec RR K3	Standard Standard Standard	120/70ZR17 58W 120/70ZR17 58W 120/70ZR17 58W	2.34 bar (34 lb/in <sup>2</sup> )	Diablo Rosso III Diablo Supercorsa SP V3 Racetec RR K3	D Standard Standard	180/55ZR17 73W 180/55ZR17 73W 180/55ZR17 73W	2.90 bar (42 lb/in <sup>2</sup> )
Street Triple S 660cc A2 licence version (from VIN 974463)	2020 on	Pirelli Pirelli Metzeler	Diablo Rosso III Diablo Supercorsa SP V3 Racetec RR K3	Standard Standard Standard	120/70ZR17 58W 120/70ZR17 58W 120/70ZR17 58W	2.34 bar (34 lb/in <sup>2</sup> )	Diablo Rosso III Diablo Supercorsa SP V3 Racetec RR K3	D Standard Standard	180/55ZR17 73W 180/55ZR17 73W 180/55ZR17 73W	2.90 bar (42 lb/in <sup>2</sup> )
Street Triple R (All models from VIN 793032 to 968958)	2017 to 2019	Pirelli Pirelli Metzeler	Diablo Rosso Corsa Diablo Supercorsa SP Racetec RR K3	Standard Standard Standard	120/70ZR17 58W 120/70ZR17 58W 120/70ZR17 58W	2.34 bar (34 lb/in <sup>2</sup> )	Diablo Rosso Corsa Diablo Supercorsa SP Racetec RR K3	Standard Standard Standard	180/55ZR17 73W 180/55ZR17 73W 180/55ZR17 73W	2.90 bar (42 lb/in <sup>2</sup> )
Street Triple RS (from VIN 800262 to 967732)	2017 to 2019	Pirelli Metzeler	Diablo Supercorsa SP Racetec RR K3	Standard Standard	120/70ZR17 58W 120/70ZR17 58W	2.34 bar (34 lb/in <sup>2</sup> )	Diablo Supercorsa SP Racetec RR K3	Standard Standard	180/55ZR17 73W 180/55ZR17 73W	2.90 bar (42 lb/in <sup>2</sup> )
Street Triple R (All models from VIN 982752)	2020 on	Pirelli Pirelli Metzeler Pirelli	Diablo Rosso III Diablo Supercorsa SP V3 Racetec RR K3 Diablo Rosso III	Standard Standard Standard Standard	120/70ZR17 58W 120/70ZR17 58W 120/70ZR17 58W 120/70ZR17 58W	2.34 bar (34 lb/in <sup>2</sup> )	Diablo Rosso III Diablo Supercorsa SP V3 Racetec RR K3 Diablo Rosso III	D Standard Standard Standard	180/55ZR17 73W 180/55ZR17 73W 180/55ZR17 73W 180/55ZR17 73W	2.90 bar (42 lb/in <sup>2</sup> )
Street Triple RS (from VIN 966534)	2020 on	Pirelli Metzeler Pirelli	Diablo Supercorsa SP V3 Racetec RR K3 Diablo Rosso Corsa CCC (China only)	Standard Standard Standard	120/70ZR17 58W 120/70ZR17 58W 120/70ZR17 58W	2.34 bar (34 lb/in <sup>2</sup> )	Diablo Supercorsa SP V3 Racetec RR K3 Diablo Rosso Corsa CCC (China only)	Standard Standard Standard	180/55ZR17 73W 180/55ZR17 73W 180/55ZR17 73W	2.90 bar (42 lb/in <sup>2</sup> )
Daytona 750 and Daytona 1000	1991 to 1992	Michelin Dunlop	TX11 K455F		120/70-17 120/70-17	2.48 bar (36 lb/in <sup>2</sup> )	TX23 K455A		160/60-18 160/60-18	2.83 bar (41 lb/in <sup>2</sup> )

# Roadsters & Supersports

# Index

Model	Model Year	Manufacturer	Front Tyre	Specification	Size	Pressure	Rear Tyre	Specification	Size	Pressure
Daytona 900 and Daytona 1200	1993	Bridgestone	BT50F		120/70-17	2.48 bar (36 lb/in <sup>2</sup> )	BT50R		160/60-18	2.83 bar (41 lb/in <sup>2</sup> )
	1994 on	Bridgestone	BT50F		120/70-17		BT50R Radial G		180/55-17	
	1993	Dunlop	K455FG		120/70-17		K455A		160/60-18	
	1994	Michelin	TX11		120/70-17		TX23A		180/55-17	
	1994 to 1995	Michelin	TX11		120/70-17		TX23B		180/55-17	
	1994 to 1995	Dunlop	D364		120/70-17		D364		180/55-17	
	1995 on	Michelin	TX11A		120/70-17		TX23A		180/55-17	
	1995	Pirelli	MTR01		120/70-17		MTR02		180/55-17	
	1995	Pirelli	MTR01 Corsa		120/70-17		MTR02 Corsa		180/55-17	
	1995	Metzeler	ME Z1F		120/70-17		ME Z1		180/55-17	
	1996 on	Michelin	TX15		120/70-17		TX25		180/55-17	
1996 on	Metzeler	ME Z1R		120/70-17	ME Z1R		180/55-17			
Super III	1994 to 1995	Dunlop	D364		120/70-17	2.48 bar (36 lb/in <sup>2</sup> )	D364		180/55-17	2.83 bar (41 lb/in <sup>2</sup> )
	1994 on	Bridgestone	BT50F		120/70-17		BT50 Radial G		180/55-17	
	1994 on	Michelin	TX11		120/70-17		TX23A		180/55-17	
	1994 to 1995	Michelin	TX11		120/70-17		TX23B		180/55-17	
	1995	Pirelli	MTR01		120/70-17		MTR02		180/55-17	
	1995 on	Pirelli	MTR01 Corsa		120/70-17		MTR02 Corsa		180/55-17	
	1995	Metzeler	ME Z1F		120/70-17		ME Z1		180/55-17	
	1996	Michelin	TX15		120/70-17		TX25		180/55-17	
	1996	Metzeler	ME Z1R		120/70-17		ME Z1R		180/55-17	
Daytona 955i (up to VIN 132512)	1997 on	Bridgestone	BT56		120/70-17	2.48 bar (36 lb/in <sup>2</sup> )	BT56		190/50-17	2.90 bar (42 lb/in <sup>2</sup> )
		Michelin	TX15 Hi Sport		120/70-17		TX25 Hi Sport		190/50-17	
		Metzeler	RCG		120/70-17		RCG		190/50-17	
		Michelin	TX15		120/70-17		TX25		190/50-17	
		Pirelli	MTR01 Corsa		120/70-17		MTR02 Corsa		190/50-17	
Daytona 955i - Double sided swinging arm (from VIN 132513)	2001 on	Bridgestone	BT010		120/70-17	2.21 bar (32 lb/in <sup>2</sup> )	BT010		180/55-17	2.62 bar (38 lb/in <sup>2</sup> )
		Michelin	Pilot Sport		120/70-17		Pilot Sport		180/55-17	
		Pirelli	Dragon Evo		120/70-17		Dragon Evo		180/55-17	
		Metzeler	ME Z3		120/70-17		ME Z3		180/55-17	
Daytona 955i - Single sided swinging arm (from VIN 132513)	2002 on	Bridgestone	BT010		120/70-17	2.48 bar (36 lb/in <sup>2</sup> )	BT010		190/50-17	2.90 bar (42 lb/in <sup>2</sup> )
		Pirelli	Dragon Evo		120/70-17		Dragon Evo		190/50-17	
		Metzeler	ME23		120/70-17		ME23		190/50-17	
TT600	2000 on	Bridgestone	BT010		120/70R17	2.34 bar (34 lb/in <sup>2</sup> )	BT010		180/55R17	2.62 bar (38 lb/in <sup>2</sup> )
		Michelin	Pilot Sport		120/70R17		Pilot Sport		180/55R17	
		Pirelli	Dragon Evo		120/70R17		Dragon Evo		180/55R17	
Daytona 600 and 650	2004 on	Pirelli	Diablo T		120/70ZR17 58W	2.34 bar (34 lb/in <sup>2</sup> )	Diablo T		180/55ZR17 73W	2.62 bar (38 lb/in <sup>2</sup> )
		Bridgestone	BT012		120/70R17		BT012		180/55ZR17 73W	
		Metzeler	Sportec M1		120/70R17		Sportec M1		180/55ZR17 73W	
		Michelin	Pilot Sport		120/70ZR17		Pilot Sport		180/55ZR17 73W	

# Roadsters & Supersports

# Index

Model	Model Year	Manufacturer	Front Tyre	Specification	Size	Pressure	Rear Tyre	Specification	Size	Pressure
Daytona 675 (up to VIN 381274)	2006 to 2009	Pirelli Michelin Bridgestone	Dragon Supercorsa Pro Pilot Power B BT014 G		120/70ZR17 120/70ZR17 120/70ZR17	2.34 bar (34 lb/in <sup>2</sup> )	Dragon Supercorsa Pro Pilot Power B BT014 G		180/55ZR17 180/55ZR17 180/55ZR17	2.48 bar (36 lb/in <sup>2</sup> )
Daytona 675 and Daytona 675R (from VIN 381275 to 564947)	2009 to 2013	Pirelli Dunlop Metzeler	Diablo Supercorsa SP Sportmax Qualifier Sportec M3	Standard Standard C	120/70ZR17 58W 120/70ZR17 58W 120/70ZR17 58W	2.34 bar (34 lb/in <sup>2</sup> )	Diablo Supercorsa SP Sportmax Qualifier Sportec M3	Standard Standard Standard	180/55ZR17 73W 180/55ZR17 73W 180/55ZR17 73W	2.48 bar (36 lb/in <sup>2</sup> )
Daytona 675 and Daytona 675R (from VIN 564948)	2013 on	Pirelli Metzeler Pirelli Bridgestone	Diablo Supercorsa SP Racetec Interact K3 Diablo Rosso Corsa Battlax BT-016 Pro	Standard Standard Standard Standard	120/70ZR17 58W 120/70ZR17 58W 120/70ZR17 58W 120/70ZR17 58W	2.34 bar (34 lb/in <sup>2</sup> )	Diablo Supercorsa SP Racetec Interact K3 Diablo Rosso Corsa Battlax BT-016 Pro	Standard Standard Standard Standard	180/55ZR17 73W 180/55ZR17 73W 180/55ZR17 73W 180/55ZR17 73W	2.48 bar (36 lb/in <sup>2</sup> )
Daytona MOT02™ 765	2020 on	Pirelli Metzeler	Diablo Supercorsa SP V3 Racetec RR K3	Standard Standard	120/70ZR17 58W 120/70ZR17 58W	2.34 bar (34 lb/in <sup>2</sup> )	Diablo Supercorsa SP V3 Racetec RR K3	Standard Standard	180/55ZR17 73W 180/55ZR17 73W	2.48 bar (36 lb/in <sup>2</sup> )